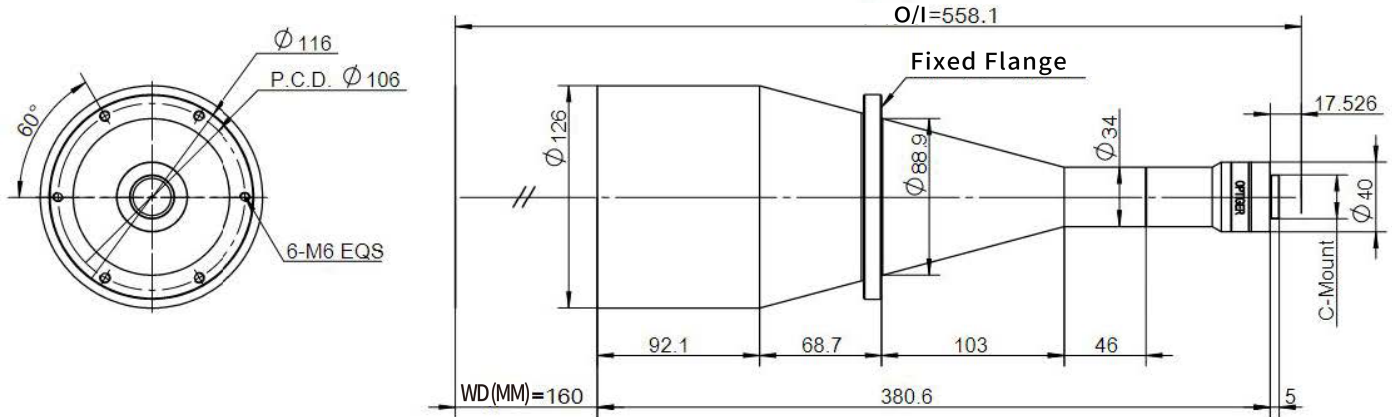


TTL18.5-105-160C



Unit: mm

Specifications

| | |
|-----------------------------|---------|
| Max. FOV(mm) | 105 |
| Sensor Size (mm) | 18.5 |
| Magnification | 0.176 |
| WD (mm) | 160±5 |
| Effective F-number | 7 |
| Object-side Resolution (um) | 26.69 |
| DOF (mm) | 18.08 |
| Measured Telecentricity | 0.01° |
| Measured Distortion | 0.02% |
| Mount | C-Mount |
| Length(mm) | 380.6 |
| Diameter (mm) | 126 |
| Weight (g) | 3308.6 |

DESIGNED IN GERMANY
ULTRA HIGH PERFORMANCE BI-TELECENTRIC LENSES

Features

Available for cameras with sensor size of 1.1"

Available for cameras with pixel size of 3.45um

FOV (mm*mm)

| | |
|-----------------------------|-----------|
| 1"(12.8X9.6) | 72.7X54.5 |
| 1.1"(14.1X10.6) | 88.1X60.2 |
| Max Sensor Size (14.8X11.1) | 84.1X63.1 |